

IR Receiver Modules for Remote Control Systems

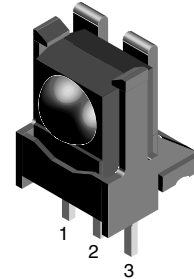
Features

- Compliant with RoHS 2002/95/EC and WEEE 2002/96/EC

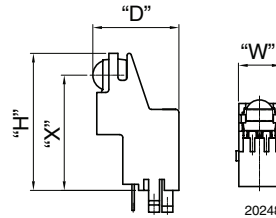


Available for:

- TSOP344..
- TSOP348..
- TSOP341..
- TSOP44...
- TSOP48...
- TSOP41...
- TSOP324..
- TSOP322..
- TSOP321..
- TSOP24...
- TSOP22...
- TSOP21...
- TSOP14838
- TSOP12238



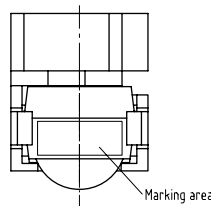
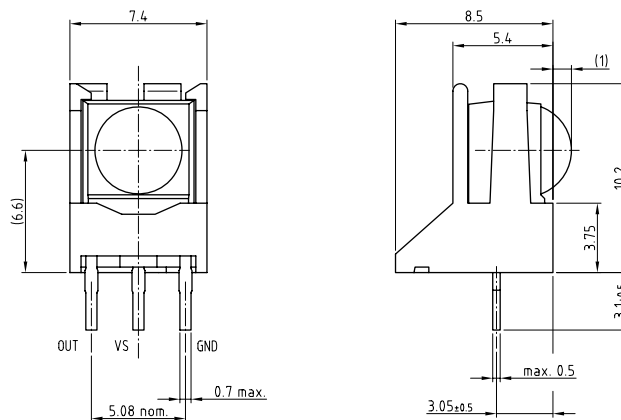
20843



20248

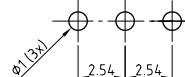
Name	Lens Axis (X)	View	Type	Height (H)	Width (W)	Depth (D)
VM1	6.6	Side	Holder	10.2	7.4	9.5

Mechanical Dimensions in millimeters



not indicated tolerances ±0.3

Proposed hole layout component side (for reference only)


 Drawing-No.: 6.550-5296.01-4
 Issue: 1; 27.08.07
 20844

